

# UNIPRESS

## 19MX MUSHROOM TOPPER PRESS

The Unipress model 19MX Mushroom Topper is the ideal press for high quality pants. The unique buck shape and contour produce superior quality and make it easy to dress. Operators will love the wide angle head opening and fast smooth head closure.

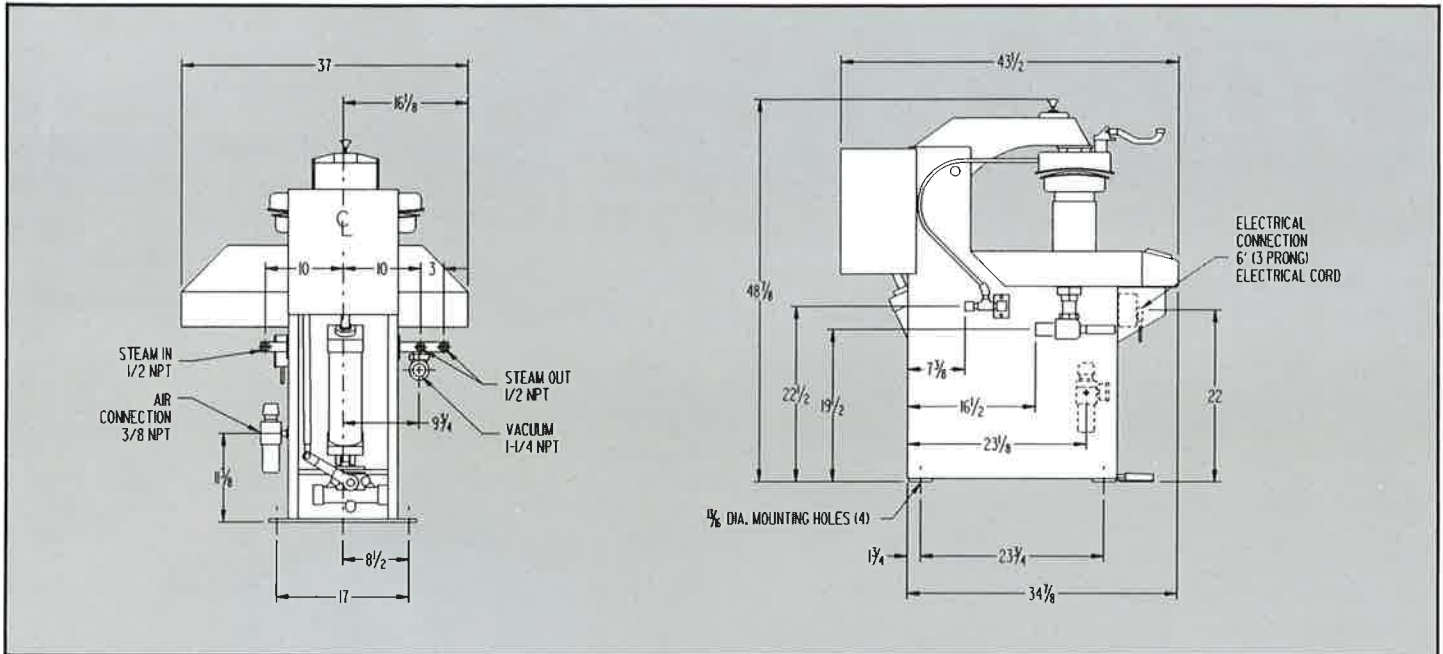
Designed and built for high quality and reliability, the 19MX features microprocessor controls with self diagnostics.

The 19MX is loaded with these standard features:

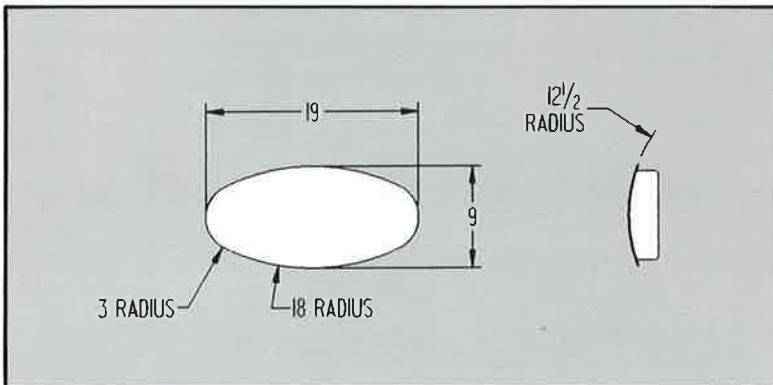
- Finger Tip Pressure Adjustment
- Quiet Operation
- Durable Construction
- 60 Head Opening
- Minimum of Floor Space
- Designed and Manufactured in USA



# 19MX TECHNICAL DATA



## BUCK DIMENSIONS



## SPECIFICATIONS

	19MX
Height of buck - padded	40 1/2"
Length of buck - unpadded	19"
Width of buck - unpadded	9"
Width of machine	37"
Depth of machine	43 1/2"
Steam inlet (1)	1/2" NPT
Steam outlet (2)	1/2" NPT
Vacuum outlet	1 1/4" NPT
Air inlet	3/8" NPT
Air supply	85 PSI
Air consumption/cycle	1/2 Cu. Ft.
Boiler horsepower rating	1 HP
Net weight	675 Lbs.
Electrical	115/1/60
Amperage	1/2 Amp



# UNIPRESS

3501 Queen Palm Drive Tampa, Florida 33619

Telephone (813) 623-3731 FAX (813) 626-2565

[www.unipresscorp.com](http://www.unipresscorp.com)